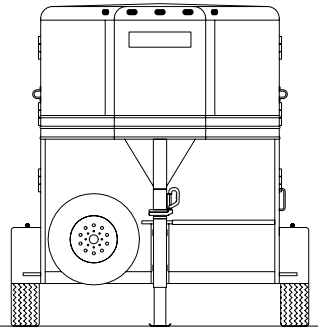
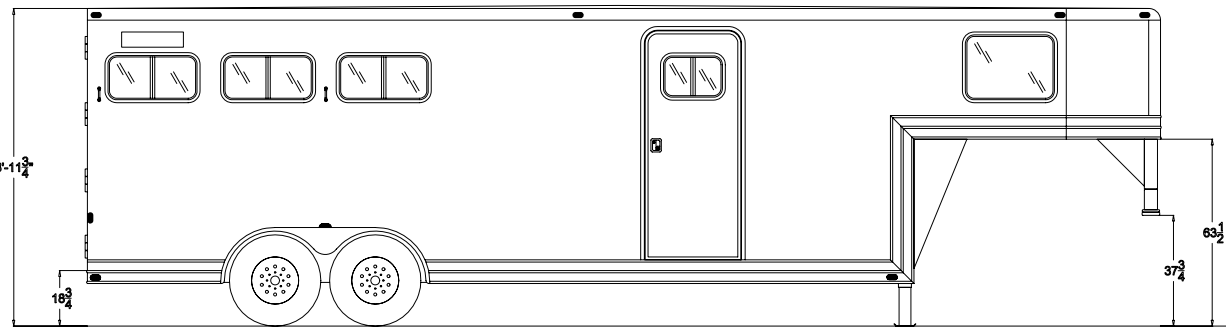
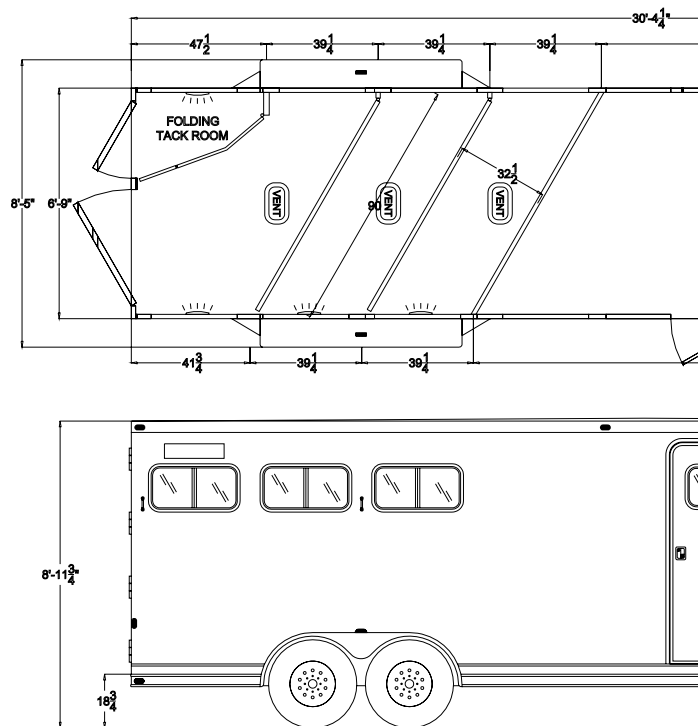


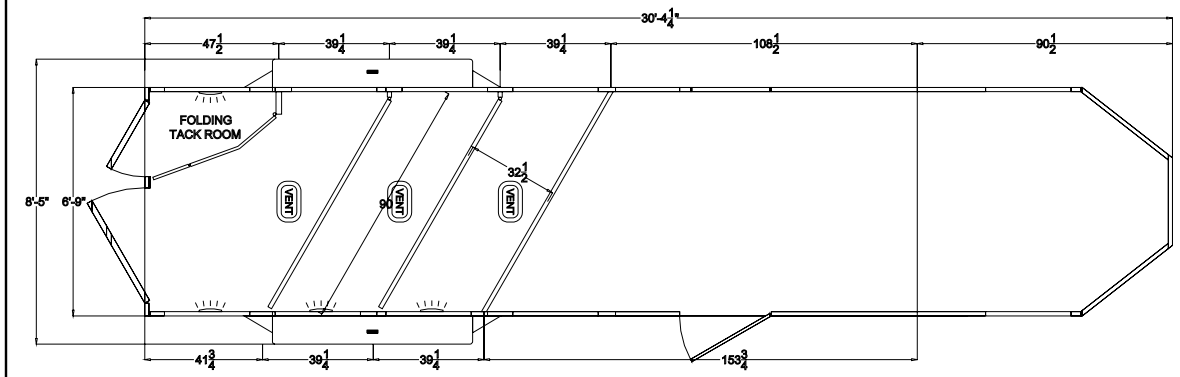
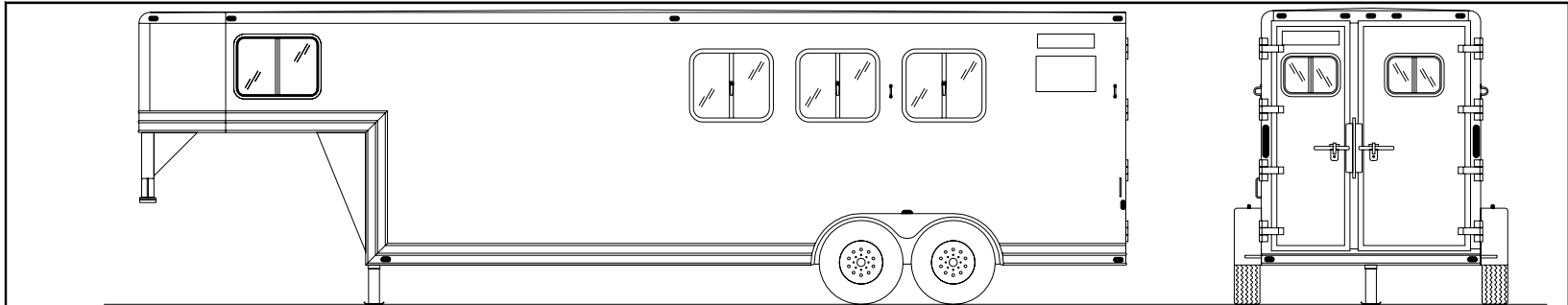
3HSLGN9



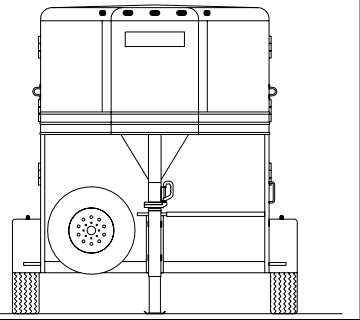
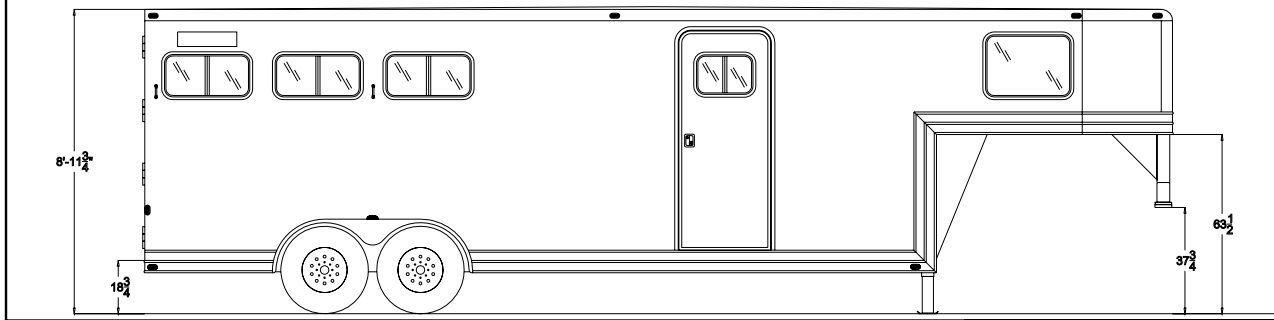


PROPRIETARY AND CONFIDENTIAL THE INFORMATION CONTAINED IN THIS DRAWING IS THE SOLE PROPERTY OF LAKOTA. ANY REPRODUCTION IN PART OR IN WHOLE WITHOUT THE WRITTEN PERMISSION OF LAKOTA IS STRICTLY PROHIBITED.	MODEL(S): 2 HORSE SLANT
	TITLE: FLOORPLAN
	DATE: 11/29/05
	FILE: 2 HS SL
	DWG #:
Rev:	SCALE: N/A
Rev:	SHEET: 1 OF 1

LAKOTA TRAILERS



3HSLGN9



PROPRIETARY AND CONFIDENTIAL
 THE INFORMATION CONTAINED IN THIS DRAWING
 IS THE SOLE PROPERTY OF LAKOTA. ANY
 REPRODUCTION IN PART OR IN WHOLE WITHOUT
 THE WRITTEN PERMISSION OF LAKOTA IS
 STRICTLY PROHIBITED.

MODEL(S): 3HSLGN9	
TITLE: FLOORPLAN	
DATE: 02/26/07	BY:SAW
FILE: 2007 MODEL YEAR	
DWG #:	
SCALE: N/A	SHEET: 1 OF 1